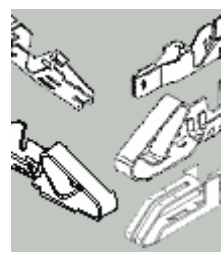


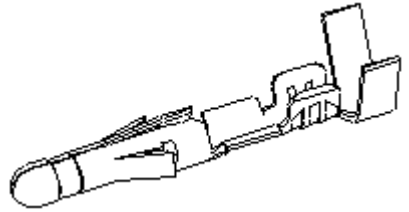
## Datasheet Crimp Terminals



[ [Home](#) > [Products](#) > [Crimp Terminals](#) > Datasheet ]

### 02-09-2143

2.36mm (.093") Diameter, Standard .093" Pin and Socket Crimp Terminal, Series 1434, Male, with Tin (Sn) Plated Brass Contact, 24-30 AWG, Bag



View all parts in series  
[1434](#)

[2D  
Dimensions](#)

[E-mail this  
page](#)

[Samples](#)

[Buy](#)

<a href="#">Status</a>	Active
<a href="#">Access Level</a>	Internet
<a href="#">Product Name</a>	Standard .093"
<a href="#">Molex Series</a>	1434
<a href="#">Gender</a>	Male
<a href="#">Wire Size [AWG]</a>	24, 26, 28, 30
<a href="#">Wire Insulation Diameter</a>	0.76-1.52mm (.030-.060")
<a href="#">Packaging</a>	Bag
<b>PHYSICAL</b>	
<a href="#">Contact</a>	Brass (CuZn)
<a href="#">Plated</a>	Pre
<a href="#">Plating Contact</a>	Tin (Sn)
<a href="#">Plating in Crimp Area</a>	Tin (Sn)
<a href="#">Under Plating</a>	Nickel (Ni)
<a href="#">Plating Thickness</a>	0.5µm (20µ")
<b>REFERENCE</b>	
<a href="#">Termination</a>	<a href="#">Good Crimps</a>
<a href="#">990 Catalog Page</a>	K-69
<a href="#">MX01 Catalog Page</a>	F-93
<a href="#">Old Part Number</a>	1434-(P901)L
<a href="#">Product Management</a>	Farnsworth, Gregg
<a href="#">Lab Office</a>	UCP
<a href="#">Customer Approved</a>	Motorola

This part is  
**ELV and RoHS  
COMPLIANT**

#### ENVIRONMENT

<a href="#">RoHS Compliant</a>	Yes
<a href="#">Lead-free Process Capability Tested</a>	No

#### Related Products

#### APPLICATION TOOLING

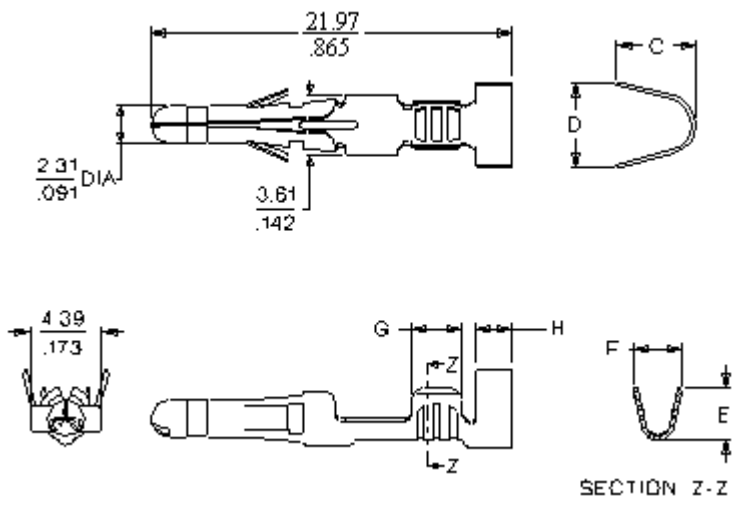
Region	Description	Product Number
Americas	Insertion Tool	<a href="#">11-02-0003</a>
Americas	Extraction Tool	<a href="#">11-03-0006</a>
Americas	Hand Crimper - DISTRIBUTION ONLY	<a href="#">63811-1000</a>

**2D DRAWING - For reference only. See technical [Drawing \(PDF\)](#) for design-in purposes.**

#### DIMENSIONS

Contact Material Thickness	0.25mm (.010")
Dimension C	1.91mm (.075")
Dimension D	2.41mm (.095")
Dimension E	1.91mm (.075")
Dimension F	2.41mm (.095")

Dimension G	3.05mm (.120")
Dimension H	2.16mm (.085")



© Copyright 2005 Molex Incorporated  
0.94 secs